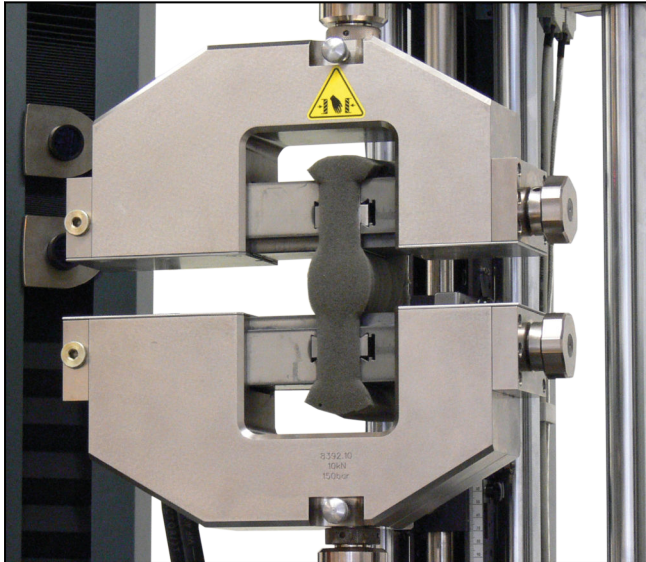


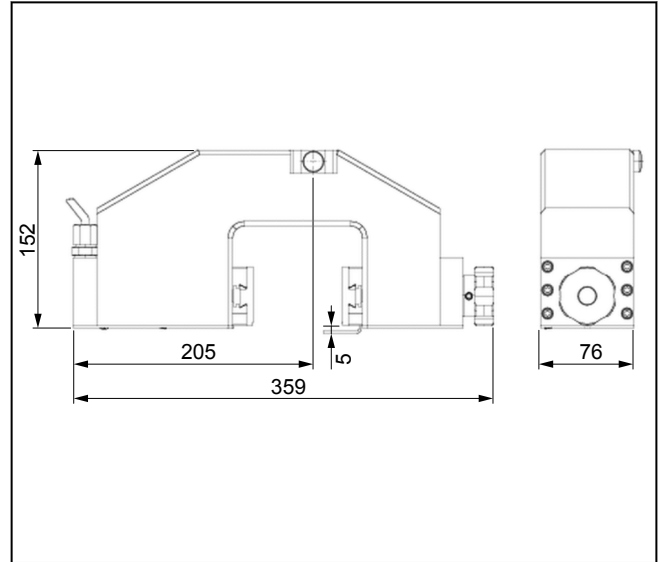
Product Information

Hydraulic grips Type 8392, Fmax 10 kN

CTA: 39730 143668



Hydraulic grips Type 8392, Fmax 10 kN for fleece and other compressible specimen



Hydraulic grips Type 8392, Fmax 10 kN, overview

Applications

- Specimen material
Plastics (foam materials), textiles, fleece
- Specimen shape
Flat specimens, asymmetrical specimens
- Type of loading
Tensile

Function description

Hydraulic grips are single-sided closing and can be used for symmetrical and asymmetrical gripping.

The opposing jaw can be steplessly adjusted.

The closing and gripping pressure of the specimen grip can be set steplessly and reproducibly via a hydraulic power pack. The specimen is held securely and jaw breaks are prevented during the test.

A T-slot is integrated for mounting of the centering stop.

Advantages and features

- The jaws can be changed quickly and easily without tools if the application changes. The jaws are thus automatically centered.
- A very wide opening allows for quick and easy insertion of highly compressible specimens.
- Accurate test results along with a high cycle rate that is made possible by central insertion of the sample with the aid of an easily adjustable centering stop.
- The constant gripping force allows for repeatable test results.
- Short specimen can also be gripped due to the special design of the specimen grip.
- Reliable testing results are guaranteed with the optimal interaction between the hydraulic power pack, the electronics, and the testing software. The force-zero control prevents unwanted forces on the specimen during the gripping process.

Product Information

Hydraulic grips Type 8392, F_{max} 10 kN

Technical data

Item No.	320719 ¹⁾²⁾	
Type	8392	
Operating principle/identification	For fleece and other compressible specimen	
Test load F _{max}	10	kN
Pressure, min.	10	bar
Pressure, max.	150	bar
Closing force at max. pressure	20	kN
Dimensions		
Height	152	mm
Width	359	mm
Depth	76	mm
Gripping travel	50	mm
Gripping of the specimen	The specimen must be gripped above at least 1/2 of the jaw height.	
Connection,stud	Ø 20	mm
Ambient temperature	+10 to +35	°C
Weight per specimen grip, approx.	12.1	kg
Scope of delivery	2	pieces

1) Recommended and approved for strain rate control in accordance with standards DIN EN ISO 6892-1:2009 and ASTM E8 – 09.

2) Includes connecting hoses

Accessories required

Hydraulic power pack or hydraulic pump

Product Information

Hydraulic grips Type 8392, Fmax 10 kN

Jaws

Type 8487 with 50 x 60 mm (H x W) gripping area